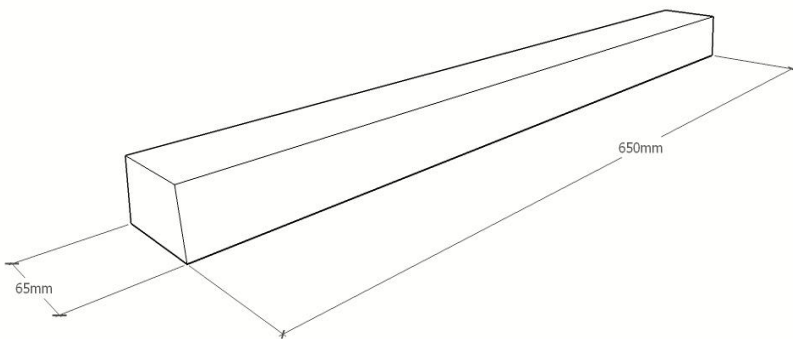


Chemical Composition

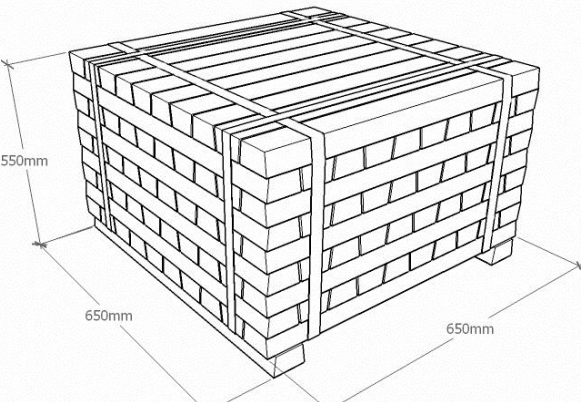
Sr No	Product Code	Elements												
		Copper (Cu)		Tin (Sn)	Iron (Fe)	Lead (Pb)		Nickel (Ni)	Aluminum (Al)		Silicon (Si)	Manganese (Mn)	Antimony (Sb)	Zinc (Zn)
		Min	Max	Max	Max	Min	Max	Max	Min	Max	Max	Max	Max	
1	AAPL/B/002	58.0	58.5	0.5	0.5	1.0	1.8	0.5	0.4	0.8	0.15	0.3	0.05	Bal.
2	AAPL/B/003	60.0	61.0	1.0	0.8	2.0	3.0	1.0	0.4	0.7	0.2	0.2	0.1	Bal.
3	AAPL/B/006	58.5	59.0	0.5	0.8	1.0	1.9	1.0	0.4	0.5	0.3	0.5	0.05	Bal.
4	AAPL/B/007	58.0	59.0	1.0	0.8	2.5	3.0	1.0	0.4	0.8	0.3	0.5	-	Bal.

(Note: This is the general specifications. However, we can offer material as per specific requirements of the customer.)

Brass Ingot Dimensions

Standards	Criteria	Value
	Shape	Gravity die cast ingot
	Size	≈ 650 mm x 65 mm
	Weight	≈ 10.0 ± 1.0 kg

Packing Standard

Standards	Criteria	Value
	Pallet Size	26" x 26" x 5"
	Weight	1000 kg (± 5%)
	Packaging	Metal Strapping with 4 bands
	No. of Ingot	≈ 100 pcs. (approx.)

Notes :

1. All the above dimensions given for the pallets and ingots are approximate.
2. All the ingots will be marked with respective Batch No.
3. Test report will be provided for each pallet with respect to Batch No.
4. Button counter samples will be provided.
5. The above terms & conditions can be changed only by our authorized management without prior notice.